

Current part is item (13) on diagram. Available at [www.oshkoshequipment.com](http://www.oshkoshequipment.com)

(1) SMR Code	(2) Federal Stock Number	DESCRIPTION	UNIT of meas	QTY inc. in Unit	30-day DS maint allowance	30-day GS maint allowance	1-yr alw per 100 equip cnt- gcy	Depot maint alw per 100 equip	Illustration No.	(a) Figure No.	(b) Item No.		
Reference Number & Mfr. Code			Usable On Code			(a) 1-20	(b) 21-50	(c) 51-100	(a) 1-20	(b) 21-50	(c) 51-100		
		GROUP 12-BRAKES											
		1209-AIR COMPRESSOR ASSEMBLY											
PAOZZ	5310-655-9370	WASHER, LOCK: COMPRESSOR TO SUPPORT MTG MS35340-47 (96906)	EA	4	*	*	*	*	*	*	*	33	1
PAOZZ	5310-880-8189	NUT, PLAIN, HEXAGON: COMPRESSOR TO SUP- PORT MTG MS51967-11 (96906)	EA	4	*	*	*	*	*	*	*	33	2
PAOZZ	4310-439-6075	COMPRESSOR, RECIPROCATING: 10899038 (19207)	EA	1	*	*	*	*	*	*	*	33	3
PAOZZ	4730-202-9744	ELBOW, PIPE TO TUBE: UNLOADER VALVE 201697 (06853)	EA	1	*	*	*	*	*	*	*	33	4
PAOZZ	2530-863-3155	COMPRESSOR, RECIPROCATING, POWER DRIVEN MS51322-1 (96906)	EA	1	*	*	*	*	*	*	*	33	5
PAOZZ	2530-828-5027	GASKET: DISCHARGE ELBOW MTG 7748823 (19207)	EA	1	*	*	*	*	*	*	*	33	6
PAOZZ	4730-518-9043	ELBOW, FLANG TO TUBE: COMPRESSOR DISCHARGE 5189043 (19207)	EA	1	*	*	*	*	*	*	*	33	7
PAOZZ	4730-078-4097	ELBOW, TUBE TO BAR: 8748837 (19207)	EA	1	*	*	*	*	*	*	*	33	8
PAOZZ	4730-054-2571	SLEEVE, COMPRESSION: MS39197-4 (96906)	EA	1	*	*	*	*	*	*	*	33	9
PAOZZ	4730-054-2572	NUT, TUBE COUPLING: MS39196-4 (96906)	EA	1	*	*	*	*	*	*	*	33	10
PAOZZ	5310-959-4679	WASHER, LOCK: DISCHARGE ELBOW AND INTAKE MANIFOLD MTG MS35340-45 (96906)	EA	4	*	*	*	*	*	*	*	33	11
PAOZZ	5306-225-8503	BOLT, MACHINE: DISCHARGE ELBOW MTG MS90725-39 (96906)	EA	2	*	*	*	*	*	*	*	33	12
PAOZZ	2530-818-0508	GASKET: INTAKE MANIFOLD MTG 7748826 (19207)	EA	1	*	*	*	*	*	*	*	33	13
PAOZZ	5306-225-8497	BOLT, MACHINE: INTAKE MANIFOLD MTG MS90725-32 (96906)	EA	2	*	*	*	*	*	*	*	33	14
PAOZZ	4310-986-0013	AIR CLEANER, INTAKE: COMPRESSOR MS53005-1 (96906)	EA	1	*	*	*	*	*	*	*	33	15
PAOZZ	4730-018-9566	PLUG, PIPE: MANIFOLD 103877 (18876)	EA	1	*	*	*	*	*	*	*	33	16
XAOZZ		MANIFOLD: AIR CLEANER 8713231 (19207)		1								33	17
XAOZZ		FILTER: AIR CLEANER 8713226 (19207)		1								33	18
XAOZZ		PLATE: AIR CLEANER 8713230 (19207)		1								33	19
XAOZZ		SPRING: AIR CLEANER 8713228 (19207)		1								33	20
KFOZZ		GASKET: 8713229 (19207)	EA	1	SEE SET 2815-864-0299							33	21
XAOZZ		CAP: AIR CLEANER 8713227 (19207)		1								33	22



Current part is item (13) on diagram. Available at [www.oshkoshequipment.com](http://www.oshkoshequipment.com)

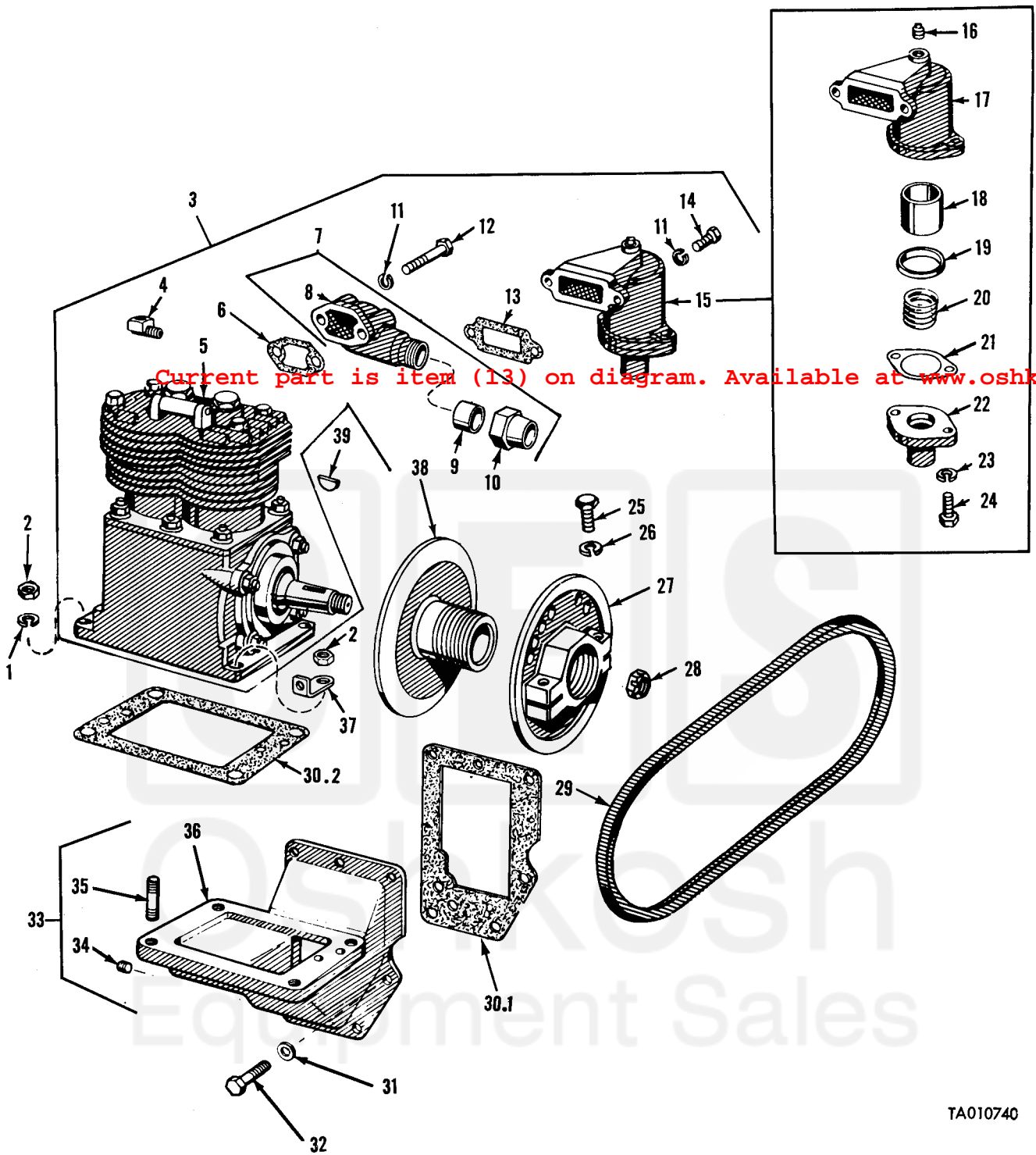


Figure 33. Air Compressor and Associated Parts.

TA010740